

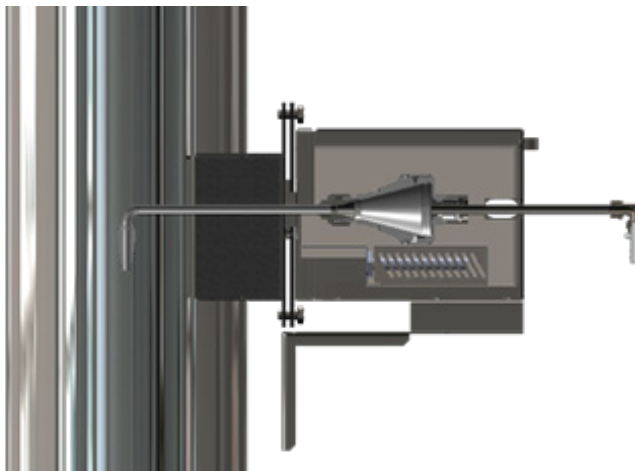


SMART PM-P

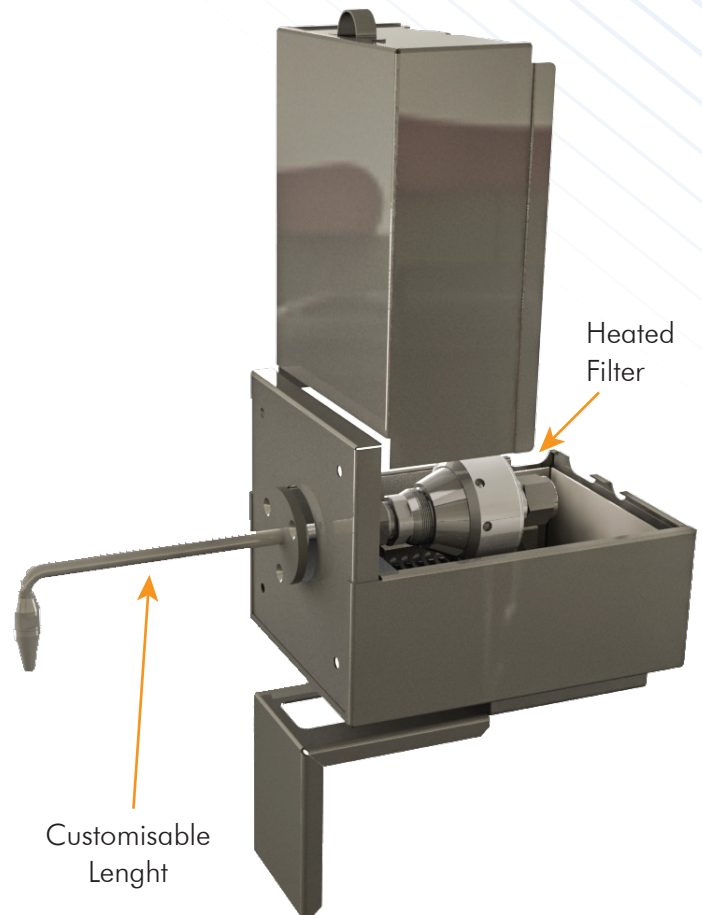
SMART PM-P is a probe for the PM sampling in small ducts (domestic heating).

The heated filter method, as the standard specifies, provides for the sampling of a fixed amount of sample from the duct which means a constant sampling non isokinetic (the air flow measurement in small natural draft ducts is of complex determination). The collection nozzle is used with a membrane filter or a thimble filter and it is heated inside a box, for the PM collection.

Thanks to a low weight and a high resistance, the probe and the heated box can be moved easily on bracket / track, in order to satisfy various needs in terms of duct diameter, in which the measure is made.



- Possibility of anchorage to the chimney with adjustable bracket / track
- Removable nozzle for inside cleaning
- Adaptable to different chimney's diameters of residential domestic appliances (sampling tube different lengths)



Technical Characteristics

- ⊙ Designed according to the industry standard currently in force (EN 16510-1:2018)
- ⊙ It fits in with the volumetric sampler **BRAVO X**
- ⊙ Probe body in AISI 316
- ⊙ Sampling probe with heated box
- ⊙ Probe available in different materials (steel / titanium)
- ⊙ Filter holder for customized membranes (standard diam. 47 mm/ thimble filter) with conical fittings metal-metal
- ⊙ Heatable box adapted to different filter holder dimensions

